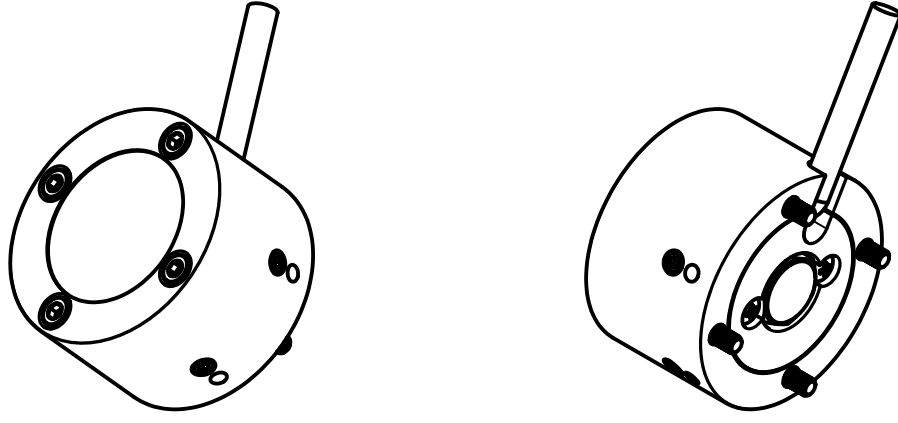
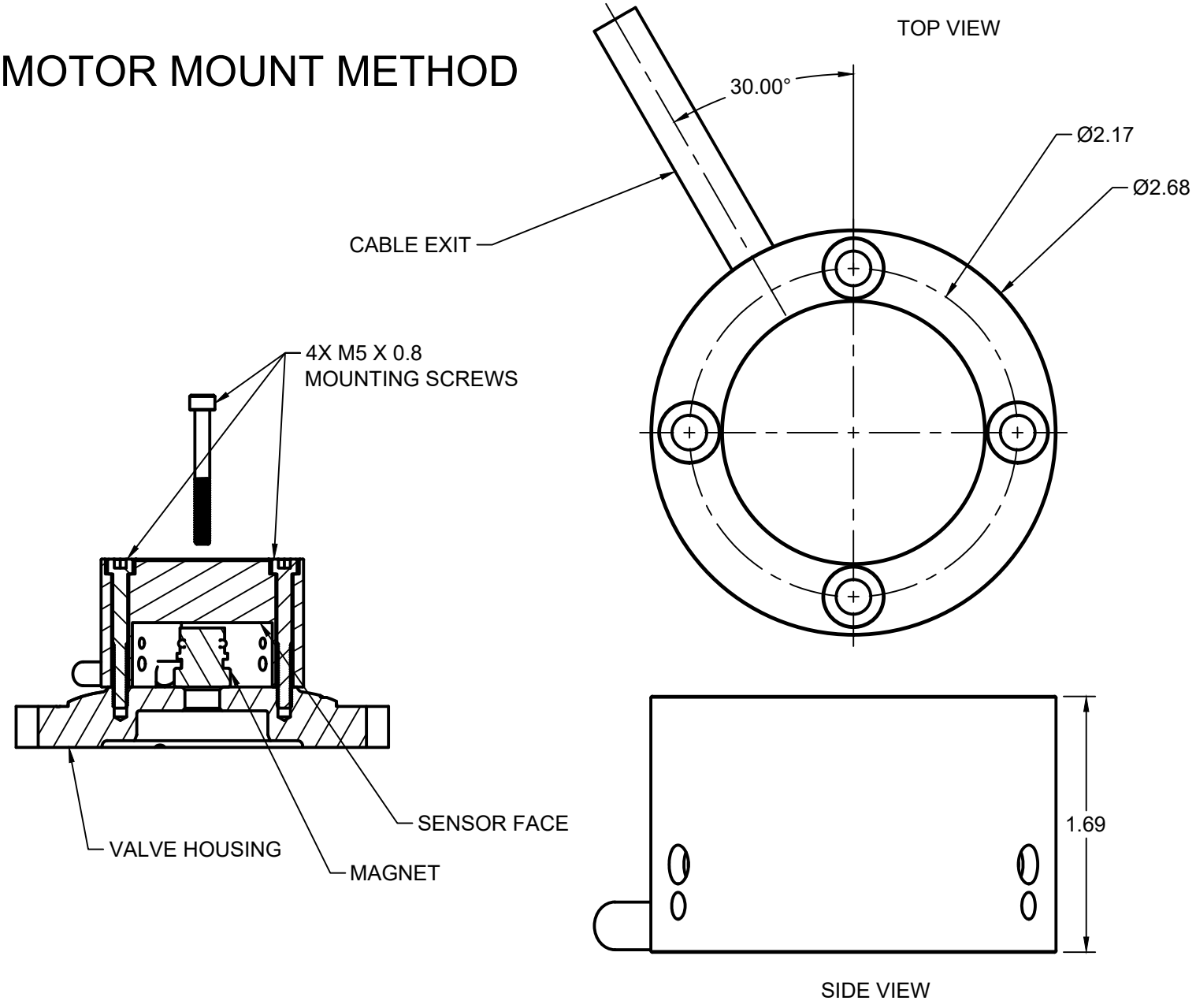


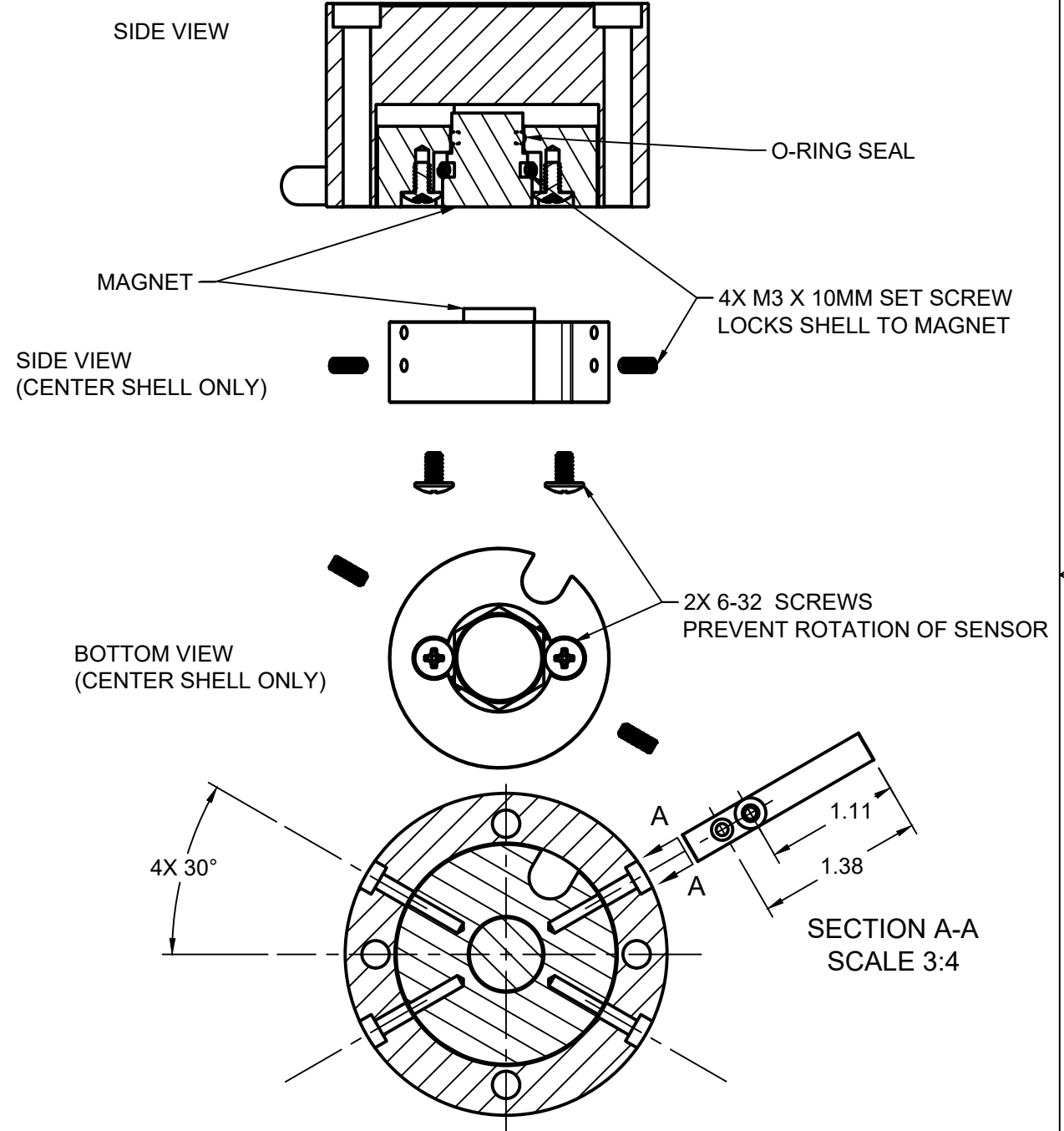
REVISION HISTORY		
REV	DESCRIPTION	DATE
0	INITIAL RELEASE	02/07/2025

### MOTOR MOUNT METHOD



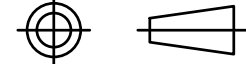
ISOMETRIC VIEWS  
SCALE:NONE

### MAGNET MOUNT METHOD



CONFIDENTIAL - ALL RIGHTS RESERVED  
DISCLOSURE OR DUPLICATION PROHIBITED

UNLESS OTHERWISE SPECIFIED:  
DIMENSIONS ARE IN DECIMAL INCH



ALL DIMENSIONS ARE REFERENCE

DRAWN: T.WOLFF  
DATE: 2/7/2025

CHECKED: C.SCHRUBBE  
APPROVED: 2/7/2025

PART #: HZ68-K-1939-DE6-31-6C-92

EPICOR #: REV. SIZE: B



WWW.JORALLC.COM

DESCRIPTION:  
ZERO POWER 68MM ENCODER  
DANFOSS MOUNT

SCALE:  
SHEET:  
1/1