



SGAM 3-AXIS INCLINOMETER, SINGLE MODULE

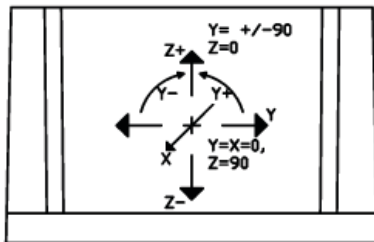
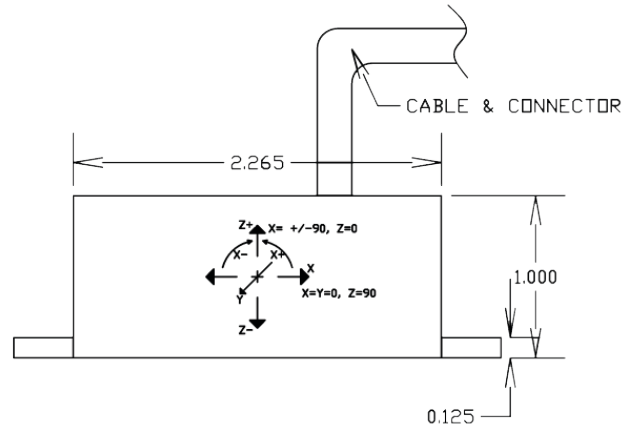
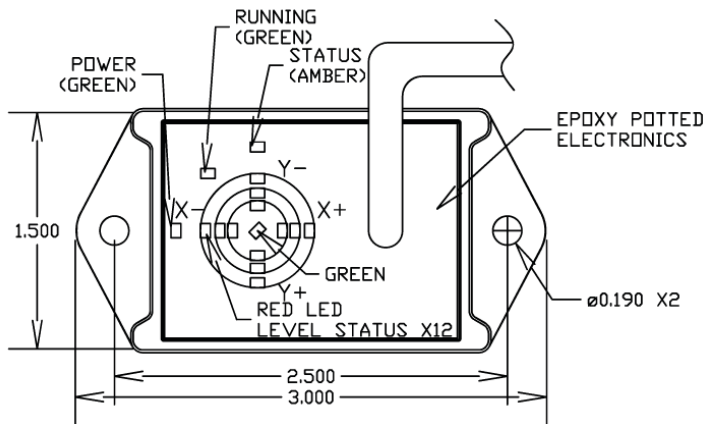
- Easy mounting, sense true position regardless of orientation
 - 3-axis sensing (X, Y, and Z)
- Gyro Stabilized to provide accurate position regardless of motion and vibration
- Totally sealed IP69K (connector dependent)
- Wide operating temperature range, -40°C to +85°C
- J1939 CAN Bus or varying voltage output
- 'Electronic Bubble' LEDs display level status
- Configuration available through J1939 for sensitivity and angular range settings

ELECTRICAL	Outputs	B-1939 : J1939, Addressable, 3-axis reporting B-ANLG : Contact Joral to build custom analog signal
	Input Power	6 to 30 VDC (90 mA)
	Electrical Protection	Over-voltage, reverse-voltage, output short-circuit protected
	LED Indicators	Power, J1939 communication status, level status, and X/Y level condition
	Connections	M12, M12 Pigtail, Flying Lead Cable, Shielded Flying Lead, or Deutsch - 4 or 6 pin
	Resolution	0.1°
	Absolute Accuracy (at 25°C)	± 0.3°

MECHANICAL	Housing Style	Rectangular tabbed
	Housing Material	Plastic or Anodized Aluminum (high temperature applications)
	Housing Height	Plastic - 1.0"; Aluminum - Contact Joral
	Housing Width	Plastic - 1.5"; Aluminum - Contact Joral
	Housing Length w/ Tabs	Plastic - 3.0"; Aluminum - Contact Joral
	Mounting	Tabs (0.187 diameter holes)
	Weight	3.0 oz

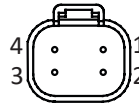
ENVIRONMENTAL	Operating Temperature	-40° to +80° C
	Temperature Drift	±0.3 degrees across specified operating temperature limits
	Storage Temperature	-40° to +90° C
	Humidity	100%
	Shock	400g/6ms (<i>MIL STD 202</i>)
	Vibration	5 to 3000 Hz, 20g (<i>MIL STD 202</i>)
Protection Class	IP69K (<i>connection dependent</i>)	

		Code 1: Housing Style	Code 2: MagElec	Code 3: Connection	Code 4: Modifiers		
ORDER TABLE	SGAM Black plastic housing standard, not rated for high temp applications	B-1939	J1939, Addressable, 3-axis position reporting	M12	M12 male	51 Red Aluminum	
		B-ANLG	Contact Joral to build custom analog signal	M12P	M12 male on 18' pigtail	53 Black Aluminum	
	SGAM Modifier Red Aluminum: SGAM-[Code 2]-[Code 3]-51 Special code 51 (53) for anodized red (black) aluminum high temp housing			CXX	Flying lead cable (enter XX as inches)		
				SCXX	Shielded cable (enter XX as inches)		
				DE4	DT04-4 pin male Deutsch		
				DE6	DT04-6 pin male Deutsch		
*More outputs and connection options available, contact Joral if desired configuration is not listed							



GENERAL PIN OUTS

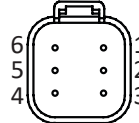
**DT04-4P MALE
FACE VIEW**



DT04-4P J1939 OUTPUT

- 1 = YEL = CAN HIGH
- 2 = GRN = CAN LOW
- 3 = RED = +VDC (VIN)
- 4 = BLK = COMMON/GROUND

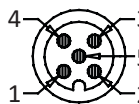
**DT04-6P MALE
FACE VIEW**



DT04-6P J1939 OUTPUT

- 1 = YEL = CAN HIGH
- 2 = GRN = CAN LOW
- 3 = RED = +VDC (VIN)
- 4 = BLK = ADDRESS GROUND
- 5 = WHT = ADDRESS PROG. RESISTOR
- 6 = BLK = COMMON/GROUND

**M12-5P MALE
FACE VIEW**



**M12-5P AND 5 CONDUCTOR
CABLE J1939 OUTPUT**

- 1 = BRN = +VDC (VIN)
- 2 = WHT = CAN HIGH
- 3 = BLUE = COMMON/GROUND
- 4 = BLK = CAN LOW
- 5 = GRY = OPTIONAL ADDRESS PROGRAMMING RESISTOR

*Dimensions informative only
For most recent dimensions please consult factory*

	bit7	bit6	bit5	bit4	bit3	bit2	bit1	bit0
Data Field	X Angle							
	X Angle (10 bits) 0 to 1000, 0.1 per bit							LSB
	X angle POSITIVE sign flag (2 bits) 01 = Positive Angle		X angle NEGATIVE sign flag (2 bits) 01 = Negative Angle		Y Angle		MSB	
	Y Angle (10 bits) 0 to 1000, 0.1 per bit							
	Y angle POSITIVE sign flag (2 bits) 01 = Positive Angle							Y angle NEGATIVE sign flag (2 bits) 01 = Negative Angle
	Z Angle (10 bits) 0 to 1000, 0.1 per bit							
	Z angle POSITIVE sign flag (2 bits) 01 = Positive Angle							Z angle NEGATIVE sign flag (2 bits) 01 = Negative Angle
	Z POS flag		MSB		Y NEG flag		Y POS flag	
1		1		1		1		Z NEG flag
1		1		1		1		1
0		0		LED Weight		Sensitivity		

X Angle (10 bits) 0 to 1000, 0.1 per bit
X angle POSITIVE sign flag (2 bits) 01 = Positive Angle
X angle NEGATIVE sign flag (2 bits) 01 = Negative Angle
Y Angle (10 bits) 0 to 1000, 0.1 per bit
Y angle POSITIVE sign flag (2 bits) 01 = Positive Angle
Y angle NEGATIVE sign flag (2 bits) 01 = Negative Angle
Z Angle (10 bits) 0 to 1000, 0.1 per bit
Z angle POSITIVE sign flag (2 bits) 01 = Positive Angle
Z angle NEGATIVE sign flag (2 bits) 01 = Negative Angle

SENSITIVITY Setting (3 bits) Field contains the value of the current setting. 0 = most sensitive, 7 = most sluggish (default 4)
LED WEIGHT Setting (3 bits) Field contains the value of the setting. Degrees per LED Indicator, 1 to 7 (default 1)

64 BIT DATA FIELD BIT POSITIONS

Byte 0								Byte 1								Byte 2								Byte 3							
0	1	2	3	4	5	6	7	8	9	10	11	12	13	14	15	16	17	18	19	20	21	22	23	24	25	26	27	28	29	30	31
X Angle bit0 LSB	X Angle bit1	X Angle bit2	X Angle bit3	X Angle bit4	X Angle bit5	X Angle bit6	X Angle bit7	X Angle bit8	X Angle bit9 MSB	X Positive Flag LSB	X Positive Flag MSB	X Negative Flag LSB	X Negative Flag MSB	Y Angle bit0 LSB	Y Angle bit1	Y Angle bit2	Y Angle bit3	Y Angle bit4	Y Angle bit5	Y Angle bit6	Y Angle bit7	Y Angle bit8	Y Angle bit9 MSB	Y Positive Flag LSB	Y Positive Flag MSB	Y Negative Flag LSB	Y Negative Flag MSB	Z Angle bit0 LSB	Z Angle bit1	Z Angle bit2	Z Angle bit3

Byte 4								Byte 5								Byte 6								Byte 7							
32	33	34	35	36	37	38	39	40	41	42	43	44	45	46	47	48	49	50	51	52	53	54	55	56	57	58	59	60	61	62	63
Z Angle bit4	Z Angle bit5	Z Angle bit6	Z Angle bit7	Z Angle bit8	Z Angle bit9	Z Positive Flag LSB	Z Positive Flag MSB	Z Negative Flag LSB	Z Negative Flag MSB	UNUSED	UNUSED	UNUSED	UNUSED	UNUSED	UNUSED	UNUSED	UNUSED	UNUSED	UNUSED	UNUSED	UNUSED	UNUSED	UNUSED	Sensitivity bit0 LSB	Sensitivity bit1	Sensitivity bit2 MSB	LED Weight bit0 LSB	LED Weight bit1	LED Weight bit2 MSB	UNUSED	UNUSED