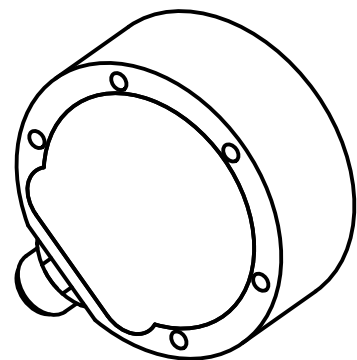
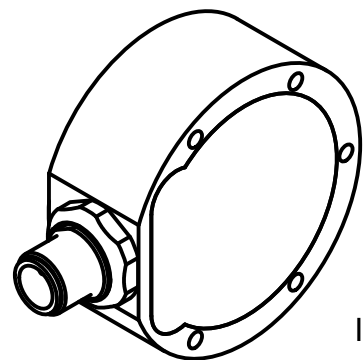
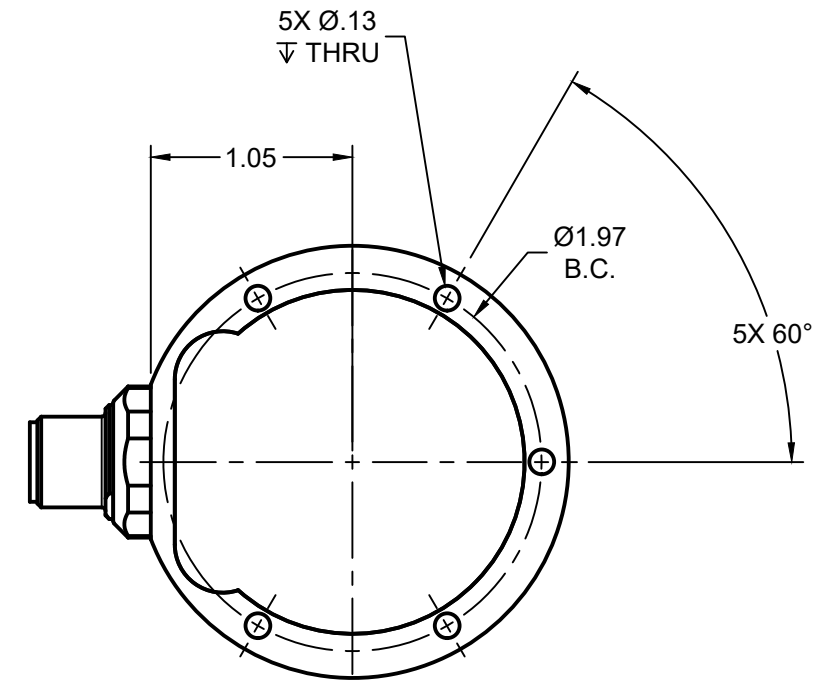
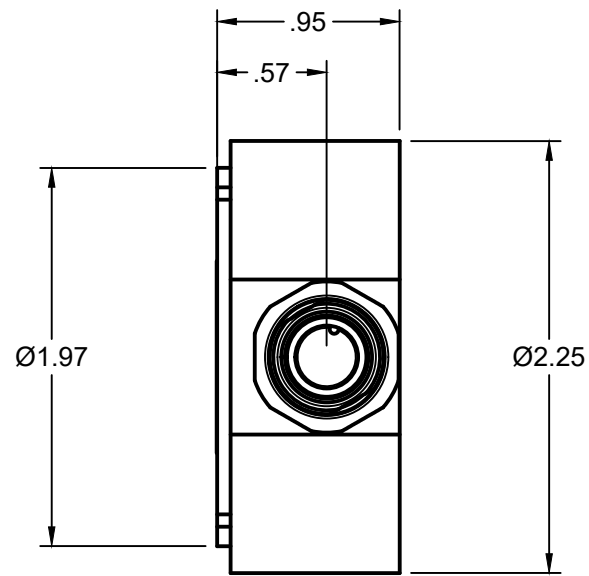
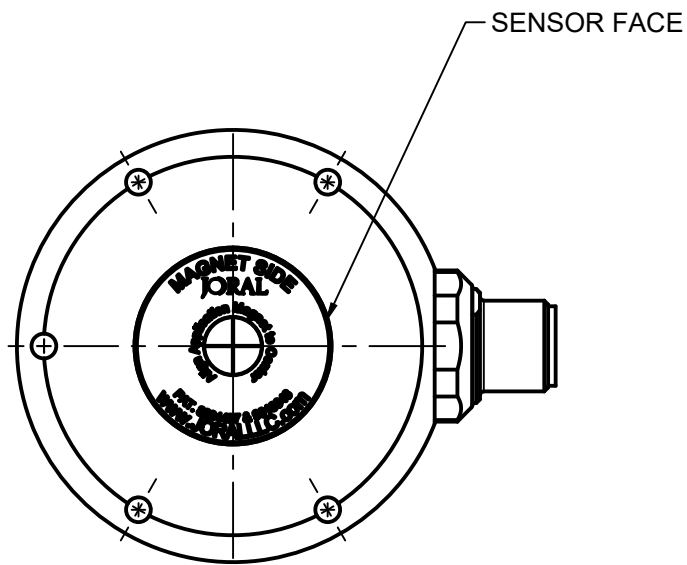
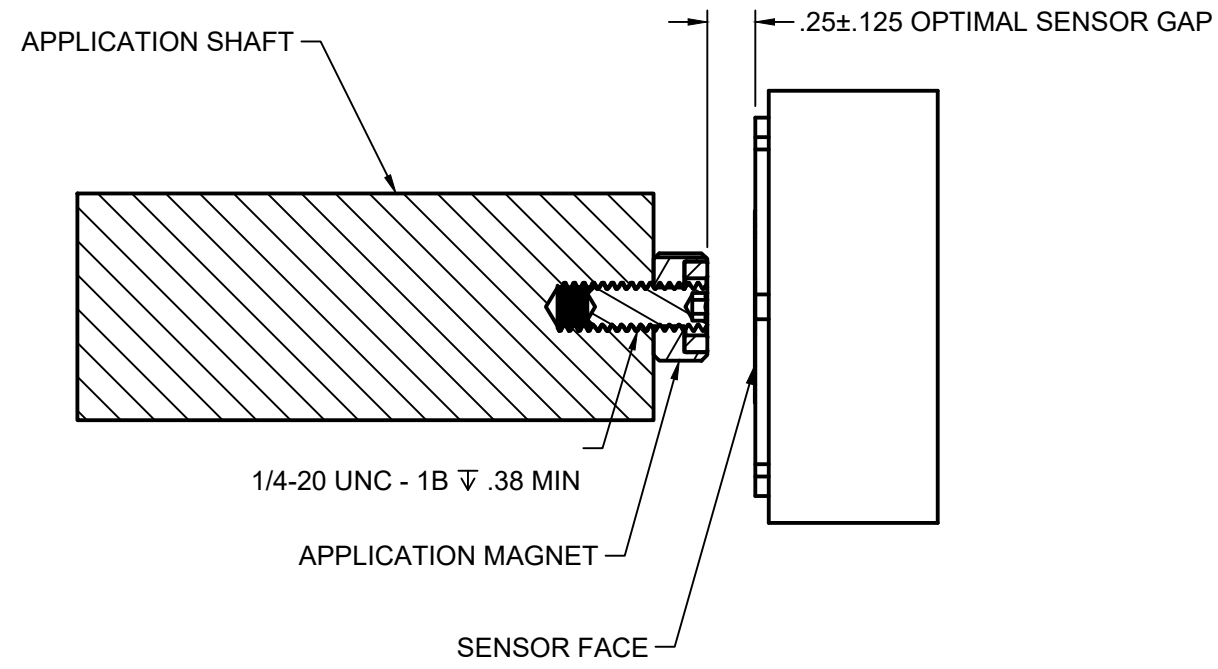


INTERFACE DETAILS AND NOTES:

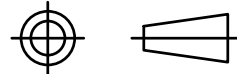
1. APPLICATION SHAFT \varnothing .375" MINIMUM WHEN USING MAG-H APPLICATION MAGNET. TAP 1/4-20 A MINIMUM DEPTH OF .375".
2. 0.25" SENSOR GAP DISTANCE IS OPTIMAL FOR NORMAL INSTALLATION. THIS IS DEPENDNT ON MOUNT AND MATERIALS.



ISOMETRIC VIEWS
SCALE:NONE

CONFIDENTIAL - ALL RIGHTS RESERVED
DISCLOSURE OR DUPLICATION PROHIBITED

UNLESS OTHERWISE SPECIFIED:
DIMENSIONS ARE IN DECIMAL INCH



ALL DIMENSIONS ARE REFERENCE

DRAWN:
Tyler Wolff

DATE:
5/31/2024

CHECKED:
A.MINSTER

APPROVED:
6/17/2024

PART #:

EPICOR #:

REV. SIZE:
B



WWW.JORALLC.COM

DESCRIPTION:
HP58 SIDE EXIT ENCODER

SCALE:
1:2

SHEET:
1/1