



JZ58 Shafted Rotary Position Sensor

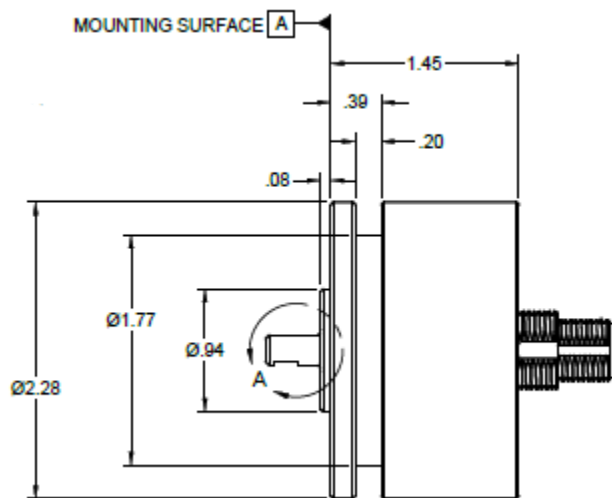
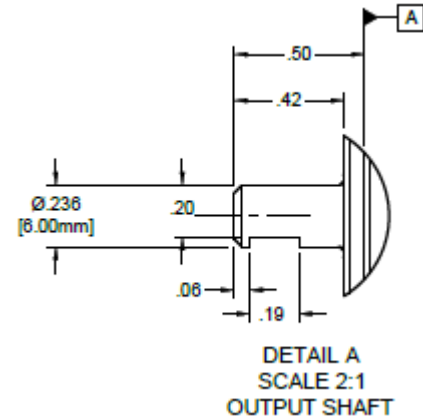
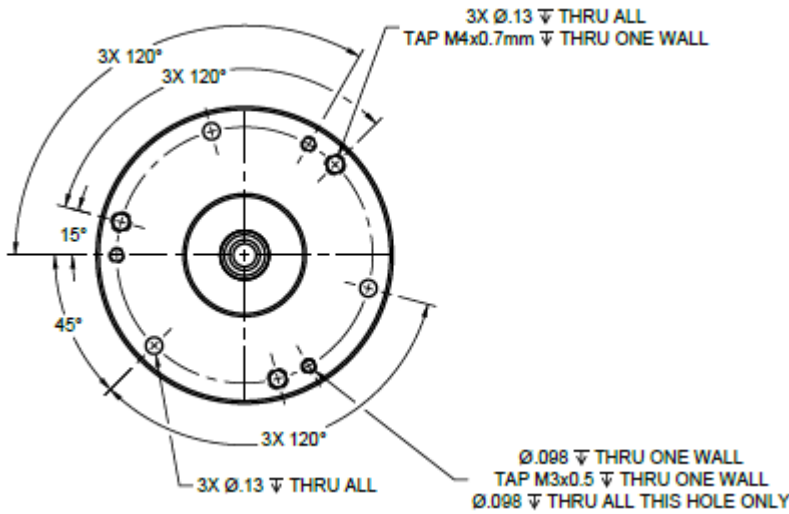
- Zero power absolute position sensor
- 10 year zero power functionality; external power wireable
- Patented zero power position sensing
- Senses movement even when machine power is off
- Totally sealed IP69K (connector dependent)
- LED indicators for power and output feedback

ELECTRICAL	Outputs	K-1939 : J1939 12 bit @4096 positions (8192 turns maximum)
	Input Power	6 to 30 VDC at approx 60 mA max, not including output loads
	Electrical Protection	Over-voltage, reverse-voltage, output short-circuit protected
	LED Indicators	Power and output channels
	Connections	Terminal Plug, M8, M12, M12 Pigtail, Flying Lead Cable, Shielded Cable, Deutsch (4 or 6 pin)
	Resolution	0.09°
	Repeatability	0.30%
	Nonlinearity	< 1%

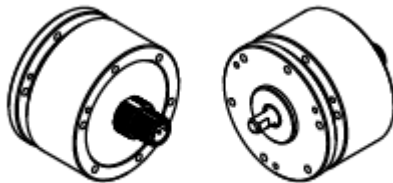
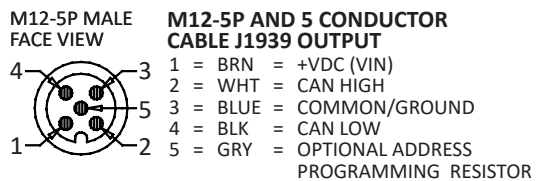
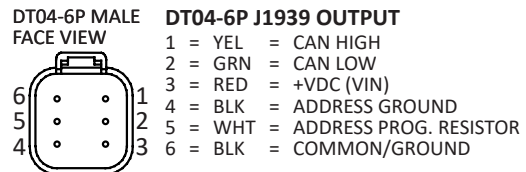
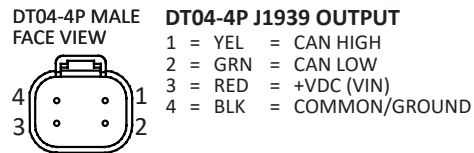
MECHANICAL	Housing Diameter	2.28" (58mm)
	Housing Material	Red Aluminum Standard (Stainless Steel Available)
	Housing Height	1.5" body; 1.75" w/ M12 connector
	Mounting	Mounting holes of servo groove
	Weight	Contact factory
	Speed	3000 RPM

ENVIRONMENTAL	Operating Temperature	-30° to +80° C
	Storage Temperature	-40° to +90° C
	Humidity	100%
	Shock	400g/6ms (MIL STD 202)
	Vibration	5 to 3000 Hz, 20g (MIL STD 202)
	Protection Class	IP69K (connection dependent)

ORDER TABLE	Code 1: Housing Style	Code 2: MagElec		Code 3: Connection		Code 4: Modifiers	
	JZ58 JZ58 red aluminum housing includes absolute multi-turn shafted encoder in 58mm housing *More outputs and connection options available, contact Joral if desired configuration is not listed	K-1939	J1939, 12 bit @4096 positions	M12	M12 male	53	Black Aluminum
						54	Stainless Steel
				M12P	M12 male on 18' pigtail		
				CXX	Flying lead cable (enter XX as inches)		
DE4				DT04-4 pin male Deutsch			
			DE6	DT04-6 pin male Deutsch			



GENERAL PIN OUTS



Dimensions informative only
For most recent dimensions please consult factory