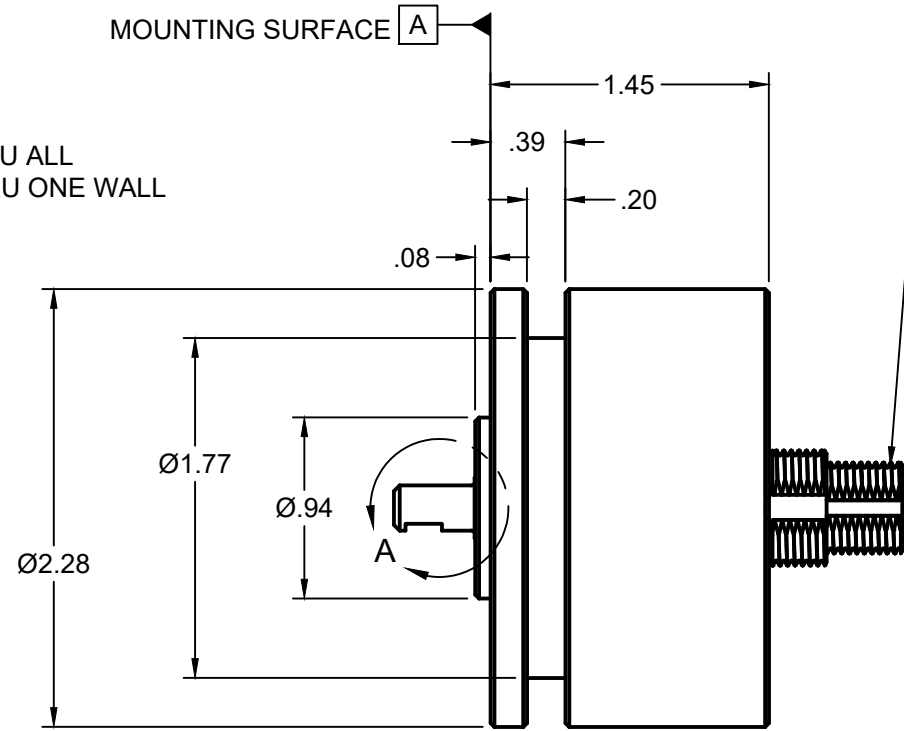
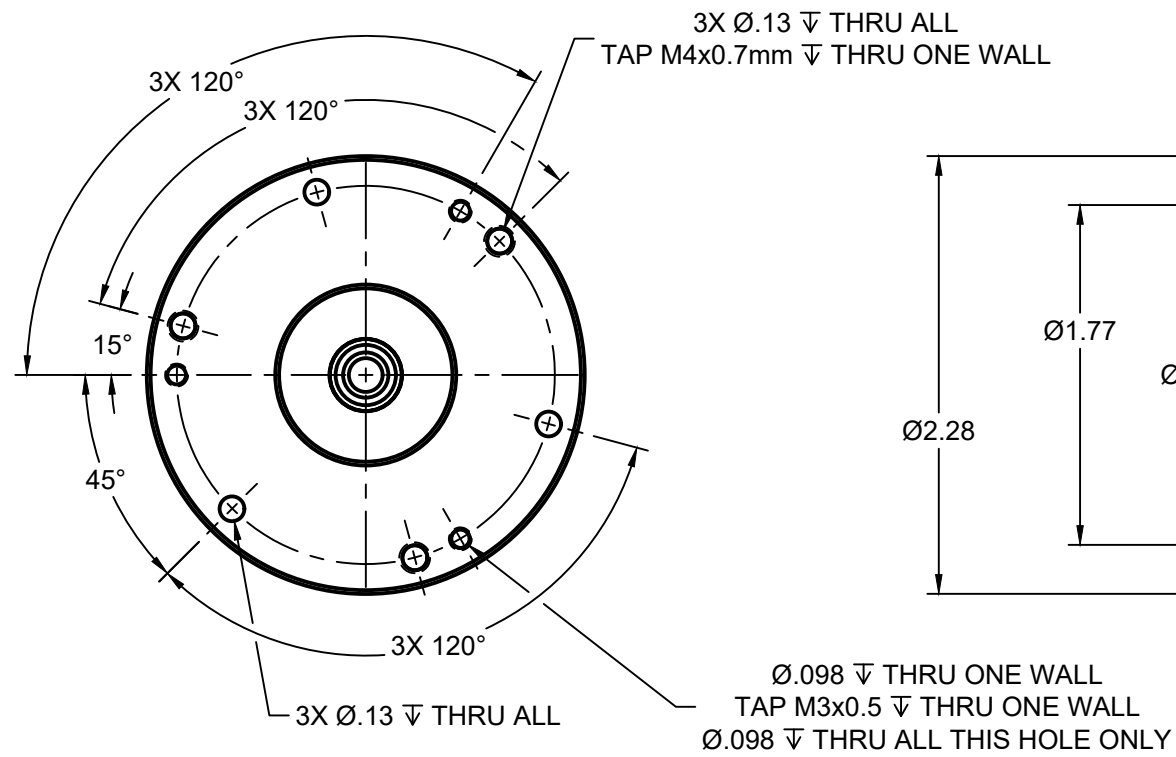
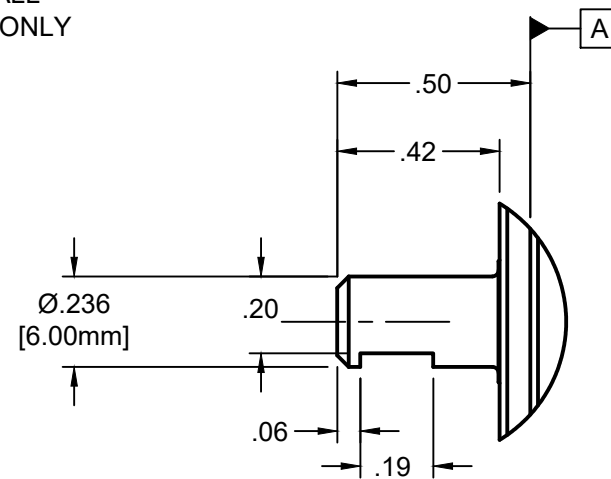
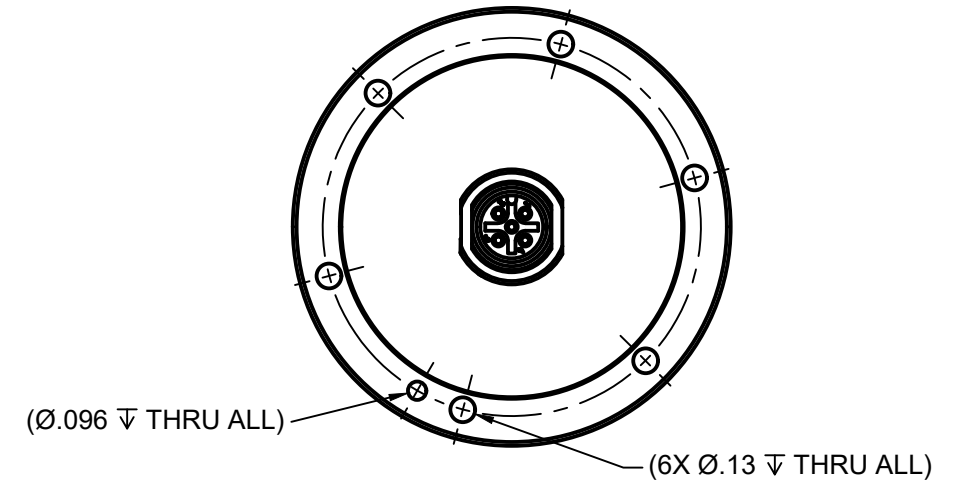


INTERFACE DETAILS AND NOTES:

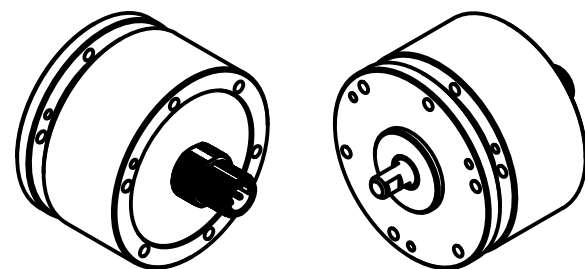
- DO NOT APPLY OUTPUT FORCE DIRECTLY TO ENCODER SHAFT. UTILIZE A COUPLER IN ORDER TO PRESERVE INTERNAL BEARING INTEGRITY AND PERFORMANCE.



5 PIN M12 CONNECTOR
OTHER CONNECTION OPTIONS AVAILABLE
LOCATION FOR REF. ONLY



DETAIL A
SCALE 2:1
OUTPUT SHAFT



ISOMETRIC VIEWS
SCALE:NONE

CONFIDENTIAL - ALL RIGHTS RESERVED DISCLOSURE OR DUPLICATION PROHIBITED	DRAWN: DAVID WATSON	DATE: 7/7/2023	JORAL WWW.JORALLC.COM
	CHECKED: T.WOLFF	APPROVED: 6/17/2024	
UNLESS OTHERWISE SPECIFIED: DIMENSIONS ARE IN DECIMAL INCH	PART #: J158	DESCRIPTION: J158 ENCODER	
ALL DIMENSIONS ARE REFERENCE	EPICOR #:	REV.	SCALE: 1:1 SHEET: 1/1