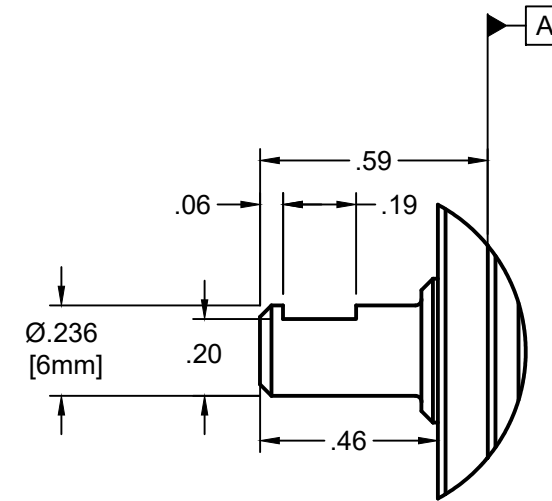
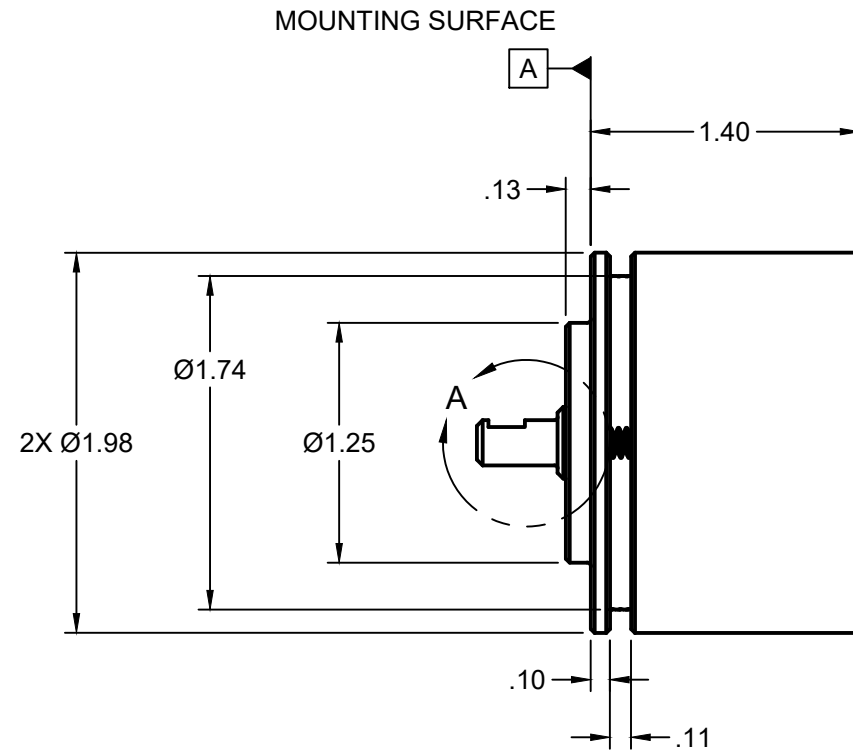
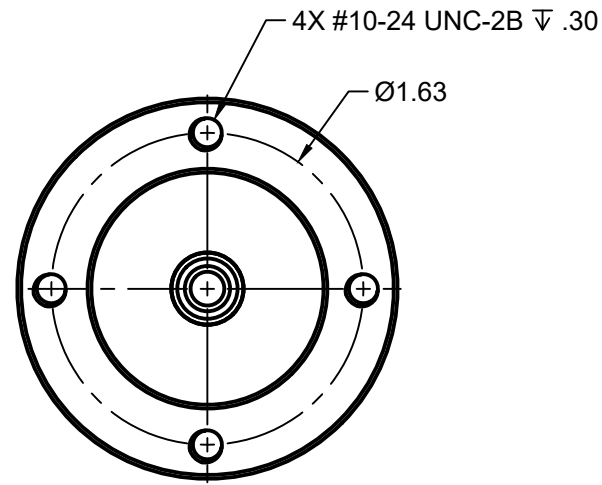


INTERFACE DETAILS AND NOTES:


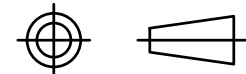
- DO NOT APPLY OUTPUT FORCE DIRECTLY TO ENCODER SHAFT. UTILIZE A COUPLER IN ORDER TO PRESERVE INTERNAL BEARING INTEGRITY AND PERFORMANCE.



DETAIL A
SCALE 2:1



ISOMETRIC VIEWS
SCALE:NONE

CONFIDENTIAL - ALL RIGHTS RESERVED DISCLOSURE OR DUPLICATION PROHIBITED	DRAWN: DAVID WATSON	DATE: 6/25/2023		WWW.JORALLC.COM
	CHECKED: T.WOLFF	APPROVED: 6/17/2024		
UNLESS OTHERWISE SPECIFIED: DIMENSIONS ARE IN DECIMAL INCH	PART #: J150	DESCRIPTION: J150 ENCODER		SCALE: 1:2
	EPICOR #:	REV. 0	SIZE: B	SHEET: 1/1
ALL DIMENSIONS ARE REFERENCE				