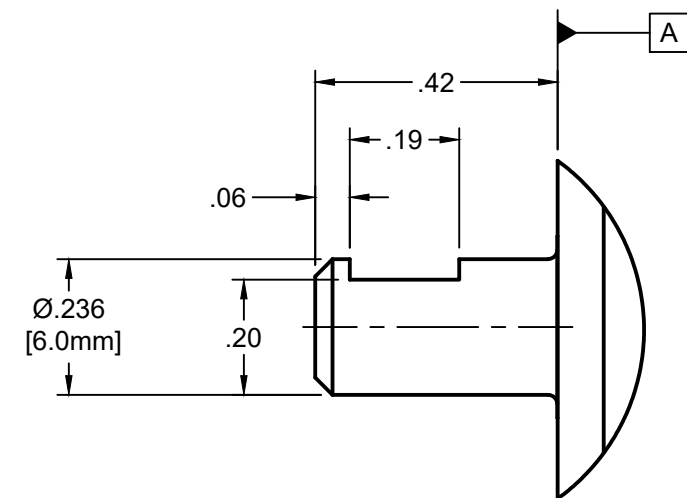
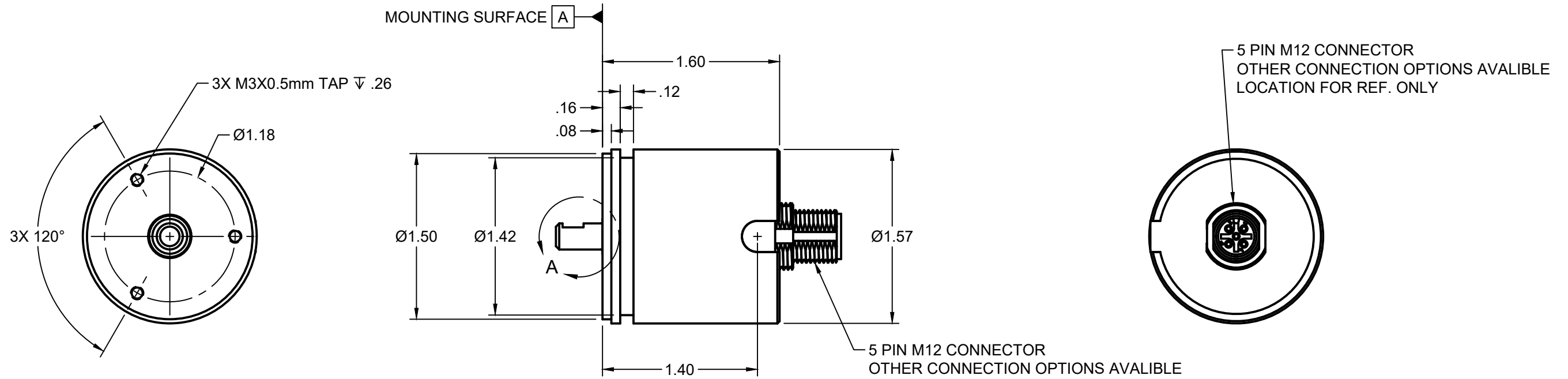
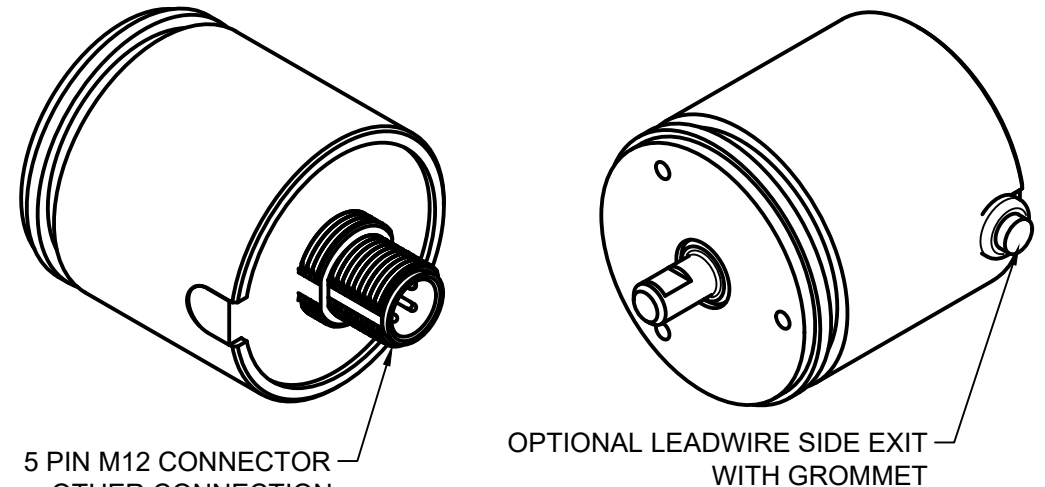


INTERFACE DETAILS AND NOTES:


- DO NOT APPLY OUTPUT FORCE DIRECTLY TO ENCODER SHAFT. UTILIZE A COUPLER IN ORDER TO PRESERVE INTERNAL BEARING INTEGRITY AND PERFORMANCE.

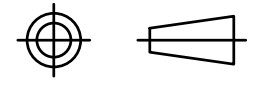


DETAIL A
SCALE 3:1
OUTPUT SHAFT



ISOMETRIC VIEWS
SCALE:NONE

CONFIDENTIAL - ALL RIGHTS RESERVED DISCLOSURE OR DUPLICATION PROHIBITED		DRAWN: DAVID WATSON		DATE: 6/23/2023		 WWW.JORALLLC.COM	
UNLESS OTHERWISE SPECIFIED: DIMENSIONS ARE IN DECIMAL INCH		CHECKED: T.WOLFF		APPROVED: 6/17/2024			
PART #: J140				DESCRIPTION:		SCALE: 1:1	
EPCOR #:				REV. SIZE: B		SHEET: 1/1	
						J140 ENCODER	



ALL DIMENSIONS ARE REFERENCE