

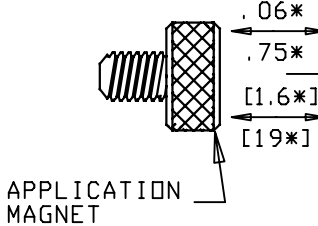
**PE30 EXTENDED THREAD DIMENSIONS & GENERAL PIN OUTS**

**NOTE:**

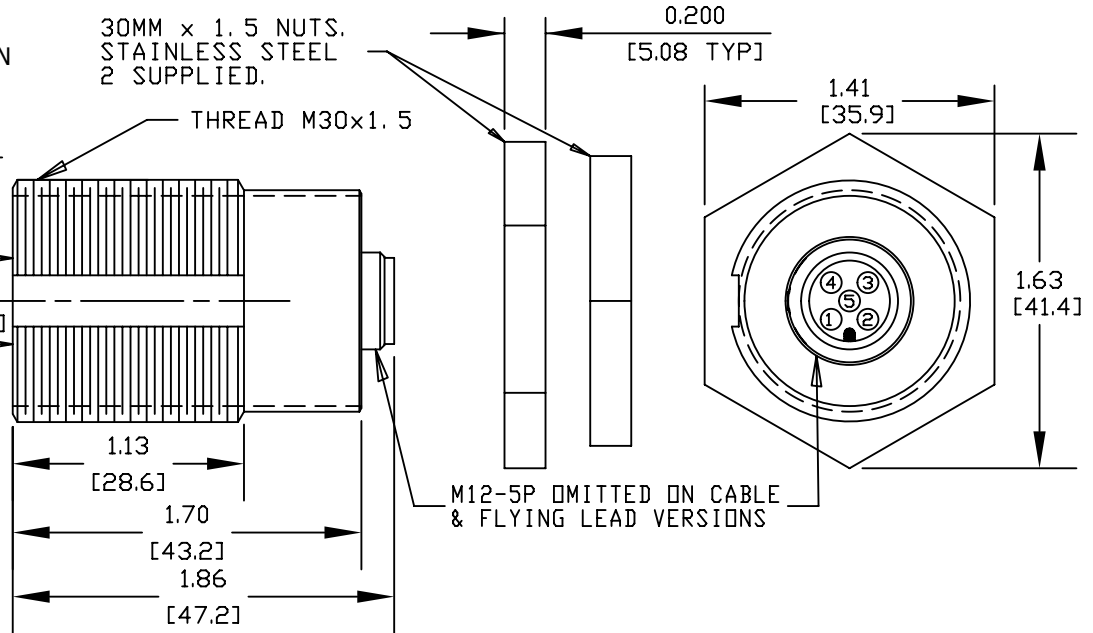
ADD 61 TO END OF PE30 P/N  
FOR EXTENDED THREAD

30MM x 1.5 NUTS.  
STAINLESS STEEL  
2 SUPPLIED.

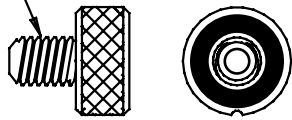
ALLOWED MAGNET  
DISTANCE



\* DISTANCE  
DEPENDANT  
ON MOUNT  
MATERIALS



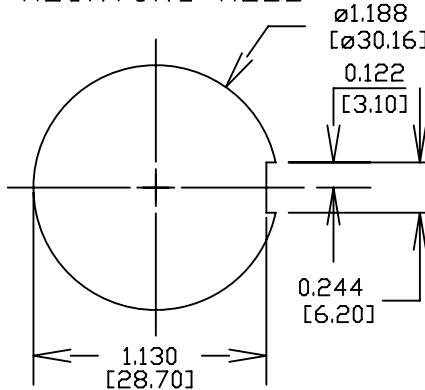
STANDARD MAGNET  
MAG-H-RING-ASSM.  
1/4-20 X .47



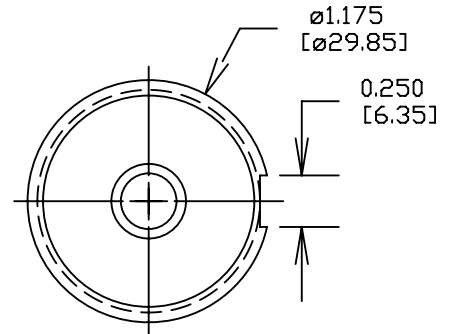
**MAGNET NOTE:**

STANDARD MAGNET INCLUDED AS  
ACCESSORY WITH PURCHASE OF  
NON-CONTACT SENSOR

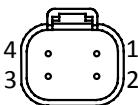
RECOMMENDED  
MOUNTING HOLE



SENSOR FACE



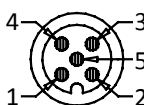
DT04-4P MALE  
FACE VIEW



**DT04-4P J1939 OUTPUT**

- 1 = YEL = CAN HIGH
- 2 = GRN = CAN LOW
- 3 = RED = +VDC (VIN)
- 4 = BLK = COMMON/GROUND

M12-5P MALE  
FACE VIEW



**M12-5P/CABLE/FLYING LEAD  
QUADRATURE OUTPUT**

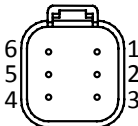
- 1 = BRN = +VDC (VIN)
- 2 = WHT = CHANNEL B
- 3 = BLUE = COMMON/GROUND
- 4 = BLK = CHANNEL A
- 5 = GRY = CHANNEL Z

**M12-5P/CABLE/FLYING LEAD  
PROPORTIONAL (ANALOG) OUTPUT**

- 1 = BRN = +VDC (VIN)
- 2 = WHT = DIG. LIMIT OUT\*
- 3 = BLUE = COMMON/GROUND
- 4 = BLK = PROP. VDC OUTPUT
- 5 = GRY = NOT USED

\*OPTION CONSULT FACTORY

DT04-6P MALE  
FACE VIEW



**DT04-6P J1939 OUTPUT**

- 1 = YEL = CAN HIGH
- 2 = GRN = CAN LOW
- 3 = RED = +VDC (VIN)
- 4 = BLK = ADDRESS GROUND
- 5 = WHT = ADDRESS PROG. RESISTOR
- 6 = BLK = COMMON/GROUND

**M12-5P AND 5 CONDUCTOR  
CABLE J1939 OUTPUT**

- 1 = BRN = +VDC (VIN)
- 2 = WHT = CAN HIGH
- 3 = BLUE = COMMON/GROUND
- 4 = BLK = CAN LOW
- 5 = GRY = OPTIONAL ADDRESS  
PROGRAMMING RESISTOR

Dimensions informative only  
For most recent dimensions please consult factory

