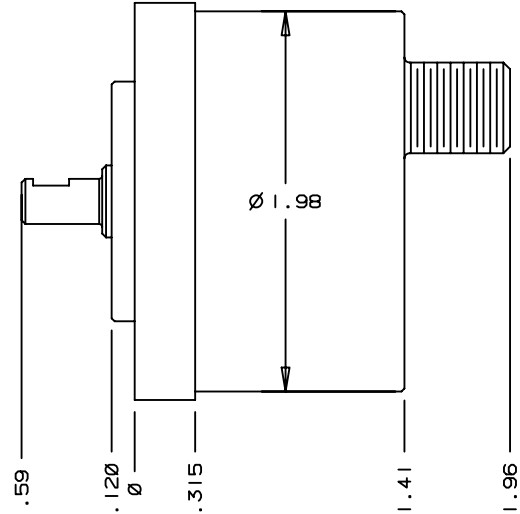
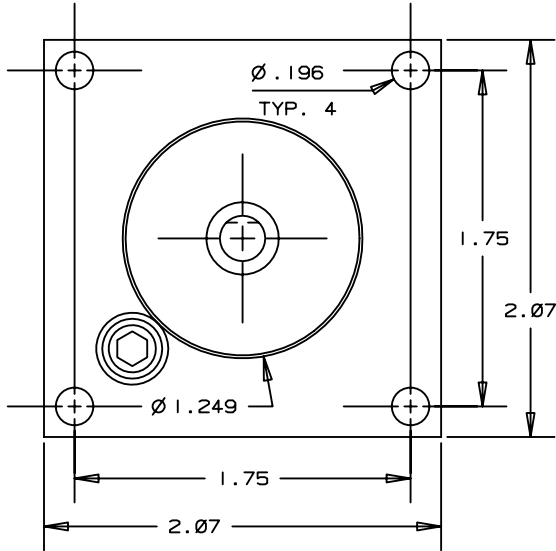


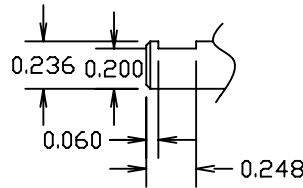
J150 FLANGE DIMENSIONS & GENERAL PIN OUTS



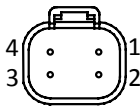
For Flange mount add special code 63 to end of Joral P/N

Example:
J150-A-0080-SEPP-M12-63

6MM SHAFT WITH FLAT END DETAIL



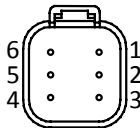
DT04-4P MALE FACE VIEW



DT04-4P J1939 OUTPUT

- 1 = YEL = CAN HIGH
- 2 = GRN = CAN LOW
- 3 = RED = +VDC (VIN)
- 4 = BLK = COMMON/GROUND

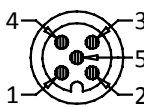
DT04-6P MALE FACE VIEW



DT04-6P J1939 OUTPUT

- 1 = YEL = CAN HIGH
- 2 = GRN = CAN LOW
- 3 = RED = +VDC (VIN)
- 4 = BLK = ADDRESS GROUND
- 5 = WHT = ADDRESS PROG. RESISTOR
- 6 = BLK = COMMON/GROUND

M12-5P MALE FACE VIEW



M12-5P/CABLE/FLYING LEAD QUADRATURE OUTPUT

- 1 = BRN = +VDC (VIN)
- 2 = WHT = CHANNEL B
- 3 = BLUE = COMMON/GROUND
- 4 = BLK = CHANNEL A
- 5 = GRY = CHANNEL Z

M12-5P AND 5 CONDUCTOR CABLE J1939 OUTPUT

- 1 = BRN = +VDC (VIN)
- 2 = WHT = CAN HIGH
- 3 = BLUE = COMMON/GROUND
- 4 = BLK = CAN LOW
- 5 = GRY = OPTIONAL ADDRESS PROGRAMMING RESISTOR

M12-5P/CABLE/FLYING LEAD PROPORTIONAL (ANALOG) OUTPUT

- 1 = BRN = +VDC (VIN)
- 2 = WHT = DIG. LIMIT OUT*
- 3 = BLUE = COMMON/GROUND
- 4 = BLK = PROP. VDC OUTPUT
- 5 = GRY = NOT USED

*OPTION CONSULT FACTORY

Dimensions informative only
For most recent dimensions please consult factory

